

Safety in the Waste Industry

Marlin Hartman

Marlin Hartman and Associates

OSHA Website

- OSHA.gov
- OSHA Home page Search “Green Jobs”
- <http://www.osha.gov/SLTC/recycling/index.html>
- Or go to Index and find Green Jobs “under G”

The Hazards

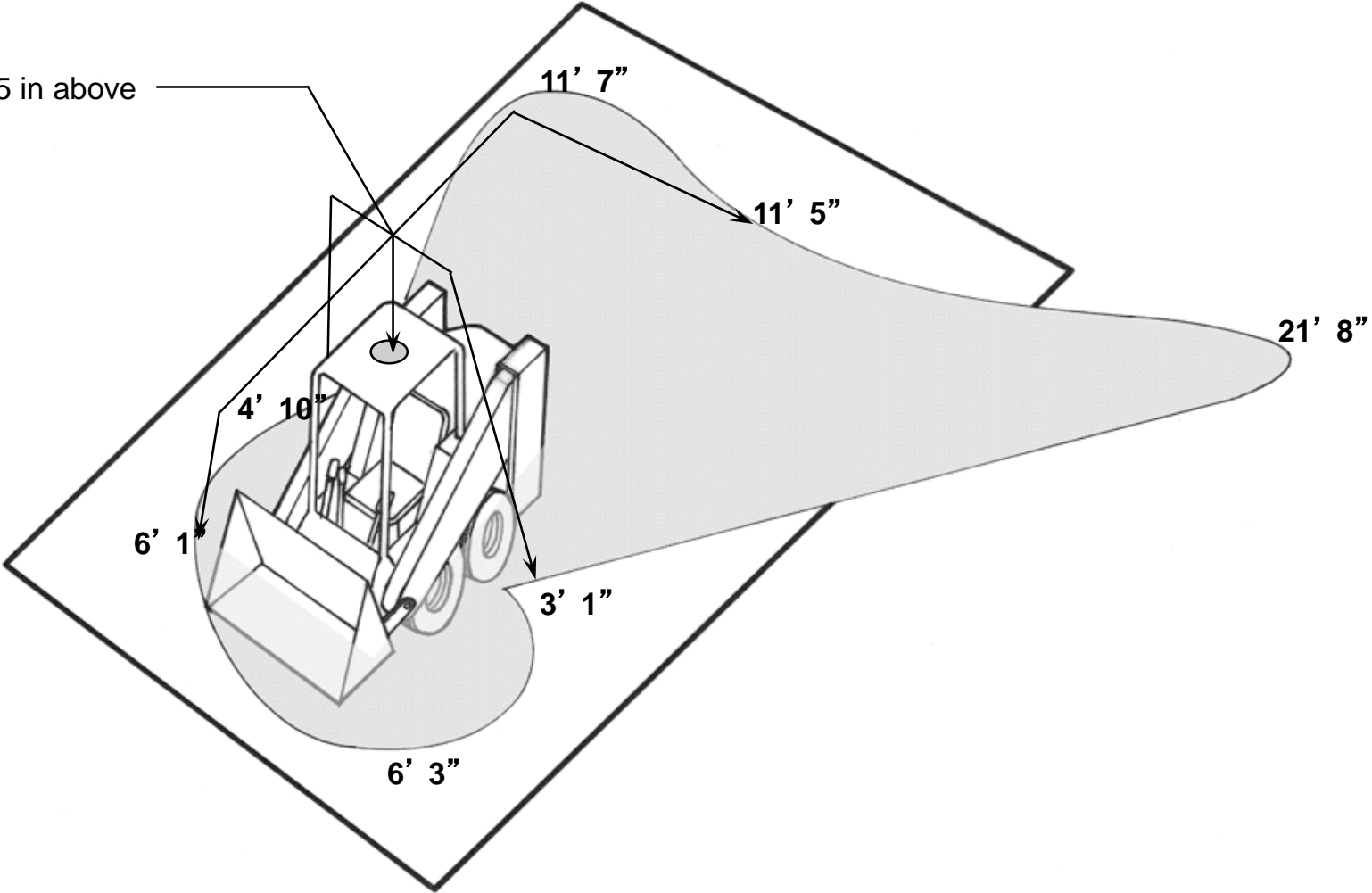
- Struck by –Being runover
- Blind spots
- Confined Space
- Electrical
- Falls
- Equipment start-up -LOTO

Blind Spots

Bobcat/Skid Steer

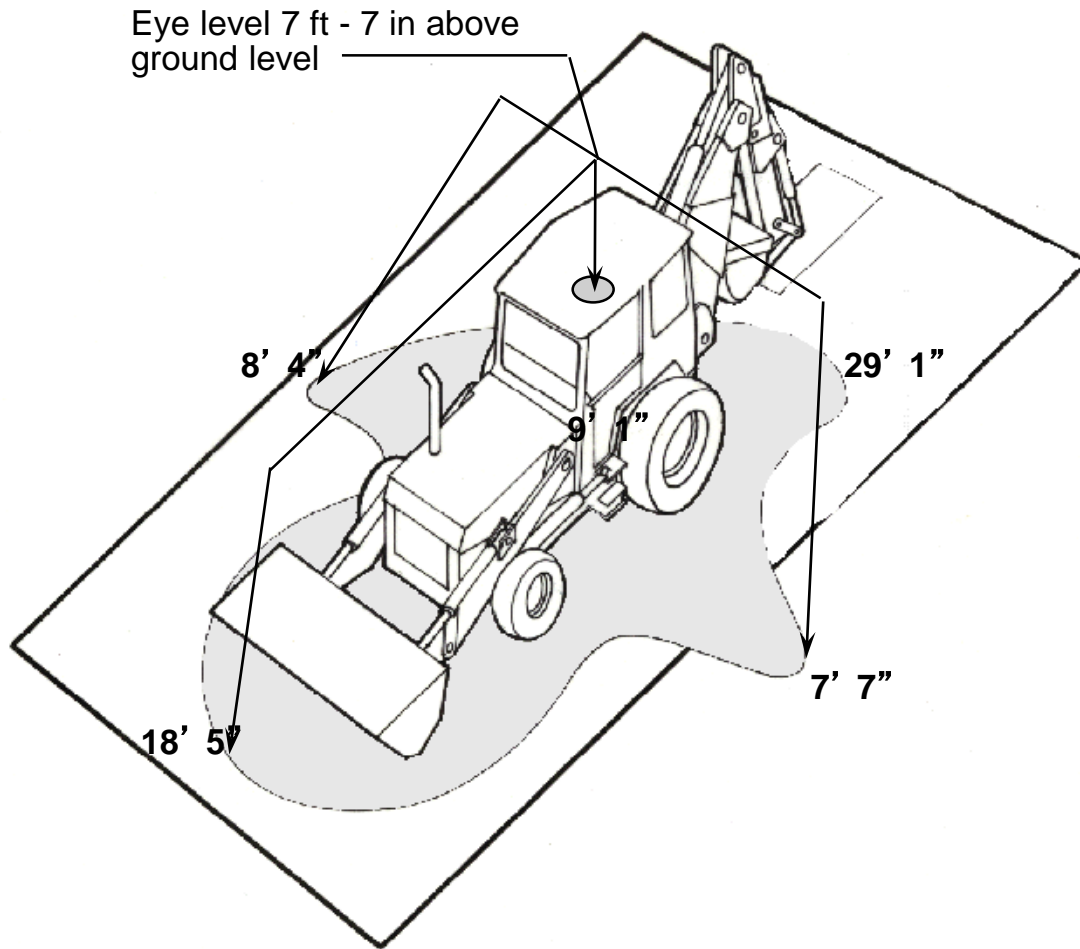
Operator sight distances
from eye level to ground

Eye level 5 ft - 5 in above
ground level



Rubber Tire Backhoe

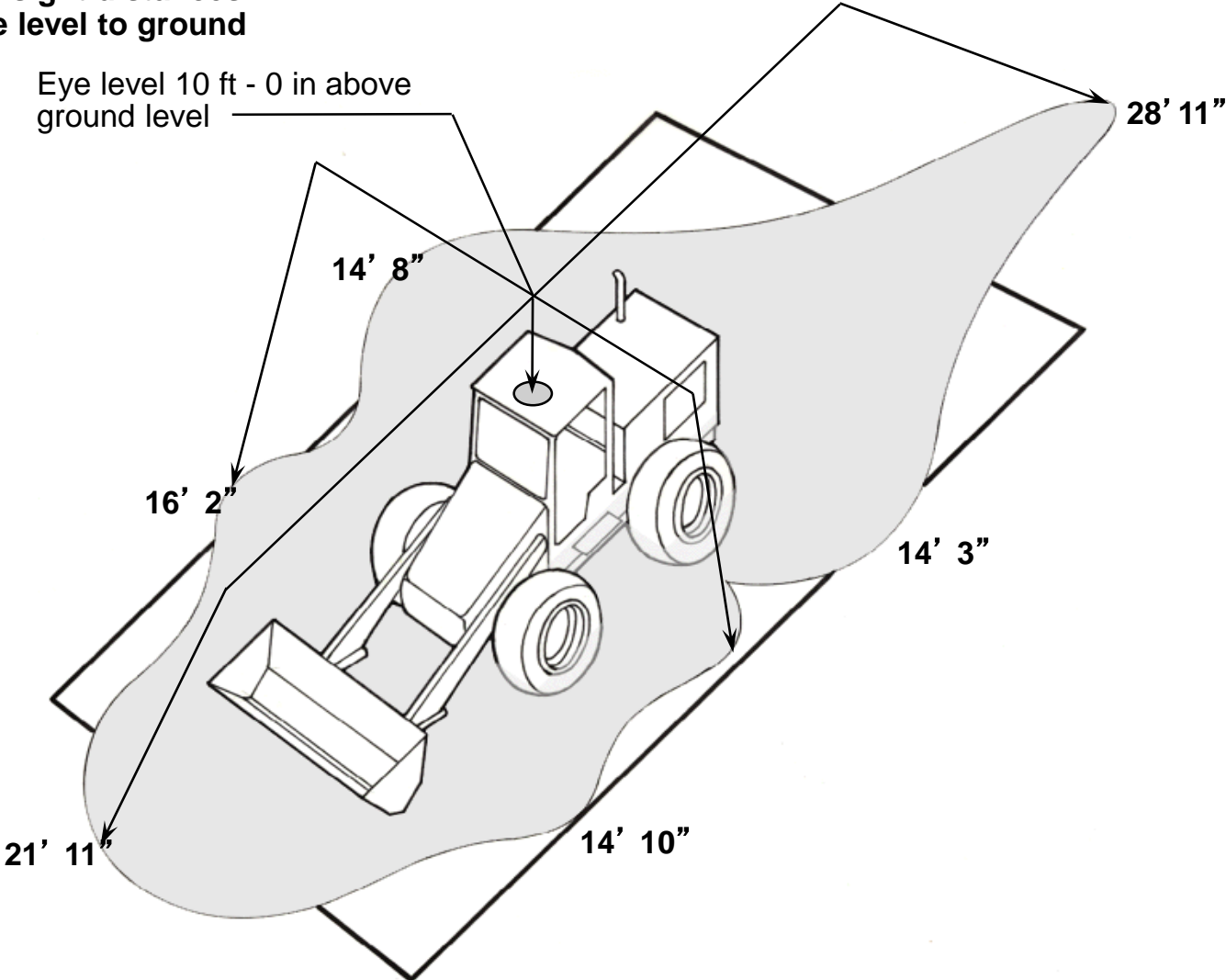
Operator sight distances
from eye level to ground



Front End Loader

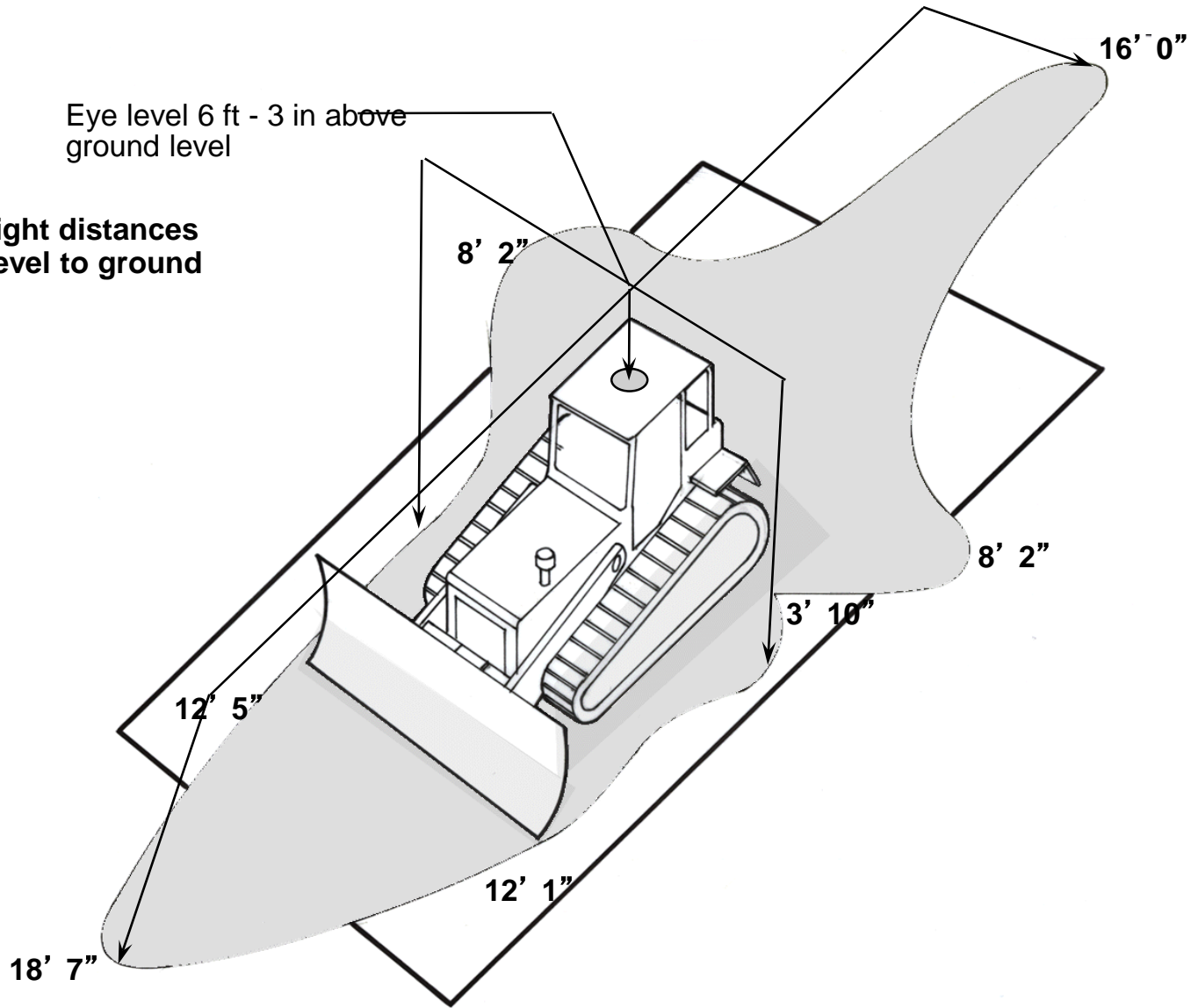
Operator sight distances from eye level to ground

Eye level 10 ft - 0 in above ground level



Bulldozer

Operator sight distances
from eye level to ground



Forklift Safety Recommendations

- Procedure guiding Employee Behaviors when operating and completing inspections.
- Training Program which includes lecture and hands on driving evaluation
 - Most important part of class is Instructor watching operator drive and move materials with forklift (Your gut feelings, should authorize or not authorize employee)
- Can they drive Safe (Turn your back and let them drive near you or your kids)

Forklift Safety Recommendations

- Written Quiz is nice, not required
- Documented inspections each shift on forktruck
- Recordkeeping of date of training of employees, a method for employer to approve each forktruck operator (evaluation), inspections performed
- Repeat training every 3 years

Forklifts and Electrical



7 12:07 PM



7 12:03 PM



WH
WASTE HANDLING
187-3000

103015

7 12:17 PM



7 12:07 PM



7 12:09 PM

Ebbinghouse Curve

- The Ebbinghouse Curve is a relationship to Training and and Retention due to lack of implementation.
- In other words the longer the time between training and use of skills the less chance training will be effective.

Training Curve

- 70:20:10 Model
- 70% learning by doing job
- 20% learning from peers
- 10% from instruction (lecture)

Safety Summary

- Whether being prepared for an OSHA Audit or ensuring all employees go home in one piece there is nothing more important than Safety to our employees
- Thousands of Companies accomplish years without a significant injury – Your company can too
- Train employees (hands on), Enforce Safety Rules, Audit and inspect practices and above all CARE for your Employees – **It Makes for a Successful Business**

